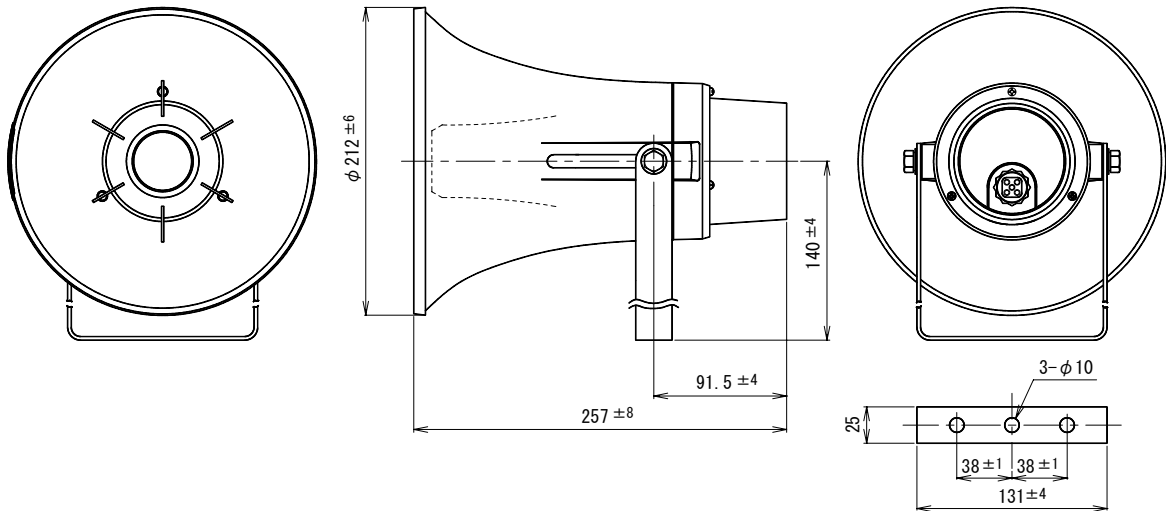


## COMBINATION SPEAKER WITH BUILT-IN TRANSFORMER

### CT-210

RATED INPUT	10W
IMPEDANCE	1kΩ (10W)/ 2kΩ (5W)/ 4kΩ (2.5W) <High Impedance 100 Line>
SOUND PRESSURE LEVEL	105dB (at 1m, 1W input)
FREQUENCY RESPONSE	320Hz~7kHz (Deviation 20dB)
DIFFUSION	60° x 60° (Horizontal x Vertical, 2000Hz/-6dB)
FINISH	Horn Mouth: (ASA Resin), Silver Gray (Munsell 5GY8.5/0.5 approx.) Reflector: (ASA Resin), Silver Gray (Munsell 5GY8.5/0.5 approx.) Cover: (ASA Resin), Silver Gray (Munsell 5GY8.5/0.5 approx.) Bracket: (SWCH6R), Hot-dip galvanizing
FITTINGS	U-shaped Bracket, S-size
CONNECTION	Code with plug(accessories); Black(+), White(COM)
APPLICABLE STANDARD	JIS C 0920(=IEC 60529, IP65)
DIMENSIONS	φ 212 (Diam.) × 257 (Length) mm
MASS	Approx. 1.5kg



UNIT: mm

BUSINESS

J110